

PENSONIC

Distributed By:
PENSONIC SALES & SERVICE SDN. BHD. (162419-M)
1165, Lorong Perindustrian Bukit Minyak 16,
Taman Perindustrian Bukit Minyak,
14100 Simpang Ampat, Penang, Malaysia.

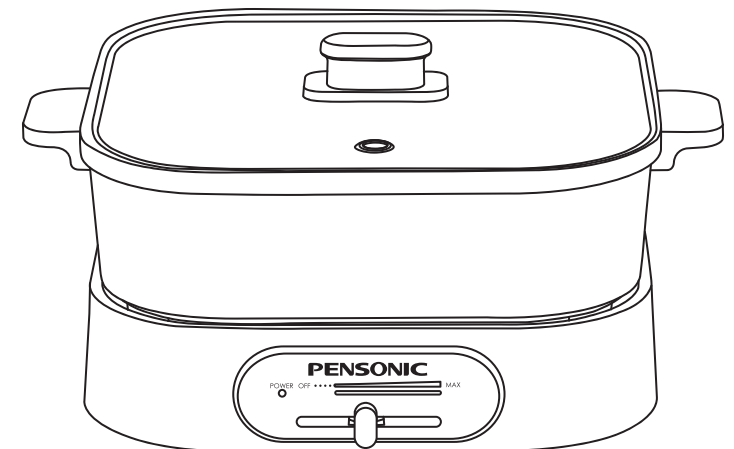
CoreLine
1-800-881-770
call this number for any enquiries

PENSONIC

MULTI COOKER

PMC-1303GSX

INSTRUCTION MANUAL



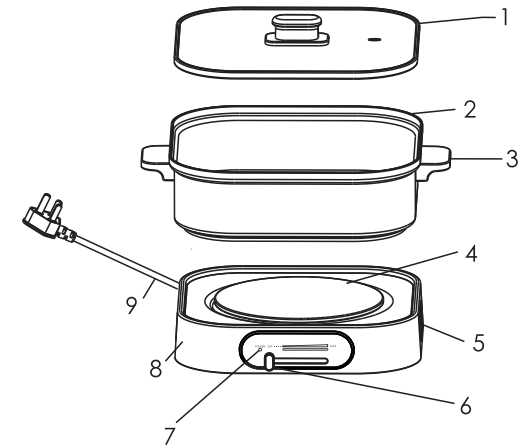
www.pensonic.com

Before operating this appliance, please read these instructions completely.

Contents

	Page
Parts introduction	2
Technical specifications	2
Before the first use	2
How to use this multi cooker	3
Cleaning and maintenance	5
Important guidelines	6

Parts introduction



- | | |
|------------------|--------------------------|
| 1. Glass lid | 6. Heat control lever |
| 2. Cooking pot | 7. Power indicator light |
| 3. Handle | 8. Base |
| 4. Heating plate | 9. Power cord |
| 5. Slot handle | |

Accessories



Steam rack



Grill plate

Technical specifications

Model no	PMC-1303GSX
Product name	Multi cooker
Voltage	220v-240v~50-60Hz
Rated power	1000W
Capacity	3.0L

Before the first use

- Please read these instructions carefully before use and keep them for future reference.
- Check your local mains voltage whether it is the same as stated on the unit.
- Never immerse in water or use a multi cooker in or near wet places such as sink, bathtub or shower.
- Before using for the first time, remove any protective films or stickers from the multi cooker.
- Ensure the power switch is at the "OFF" position.

How to use this Multi Cooker**For cooking pot**

- Before each use, check if there are any particles sticking on the surface of the heating plate, remove it if there is any. Ensure the surface of the heating plate is clean and dry.
- To prevent poor contact, first dry any water at the bottom of the pot after filling it with liquid before putting it on the hot plate.
- Move heat control lever to "OFF" position and insert plug into socket.
- To start operating unit, move lever to "HIGH" position (the highest working temperature) and the power indicator lights up to show the unit is working.

NOTE: Move the heat control lever towards OFF position to reduce heat from high to low during operation.

- Add food to the cooking pot when the liquid starts to boil.
- After using, move lever to OFF position and remove plug from socket.

For grill plate

- Place the grill plate and adjust it slightly until it is positioned properly on the heating plate.
- To prevent poor contact, first dry any water at the bottom of the pot after filling it with liquid, before putting it on the hot plate.
- Move heat control knob to "OFF" position and insert power plug into socket.
- To start operating unit, move lever to "HIGH" position (the highest working temperature) and the power indicator lights up to show the unit is working.

NOTE: Move the heat control lever towards OFF position to reduce heat from high to low during operation.

- Place food on the grill when it becomes hot.

NOTE: During the food grilling process, please pay attention to the colour change of the food. Turn food regularly to prevent burnt or uncooked food.

- After using, move the lever to OFF position and remove plug from socket.

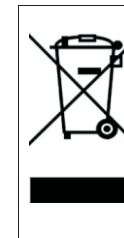
Cleaning and maintenance

- Always unplug unit from power point. Let it cool down completely prior to cleaning.
- Do not use abrasive sponges, scouring pads or stiff brushes to clean the unit. Use a soft damp cloth and mild detergent.
- Please be cautious when cleaning the heating plate area.
- Use only clean, damp cloth to wipe the exterior surfaces of the unit. Do not immerse the main body and heating plate in water.
- Do not allow the heating element or other electrical components to be exposed to water.
- For proper storage, always place the multi cooker in a low humidity environment.

Important guidelines

- Before connecting to power, please ensure the local voltage corresponds with the unit, the socket is grounded and installed as required.
- Never leave the unit near the gas cooker or other heat sources to prevent damage due to high temperature.
- Operate the unit on a flat, ventilated, dry and heat-proof surface.
- Before using, please ensure the heating plate and bottom of cooking pot or grill is clean and placed properly on the heating plate.
- Do not immerse or wash the unit in water as this may cause the unit to malfunction.
- Before turning on the unit, add water to the cooking pot first. Never turn on the unit with an empty pot as this will result in dry burning and cause serious damage to the unit.
- During use, the temperature is very high on the surface of the product and vapour is emitted from the vent. Please do not touch the surface to prevent burns.
- The cooking pot/grill and heating base remains hot for some time after use. Please do not touch the heating base and the glass lid's vent to prevent burns.
- To prevent leakage or short circuit, do not immerse heating plate in water or expose to dampness.
- Never heat the hotpot or the grill on other heating sources.

- Slight smoke and smell may be emitted from the unit when used for the first time, which is a normal occurrence as it is from the protecting oil on the heating plate. This will disappear after a few times of use and is not harmful to health. Please open your windows for smoke to disperse and better air ventilation.
- If the supply cord is damaged, it must be replaced by the manufacturer, its service agent or similarly qualified persons to prevent damage or injury.
- Do not disassemble, repair or modify unit by yourself. All repairs and maintenance must be done by authorized personnel.
- Please unplug when the unit is not in use for some period.
- Please do not attempt to reach inside the unit with metal objects as it may lead to electric shock or malfunction.
- Do not move the unit when it is working.
- Turn off power and unplug from the socket if you have to move the unit.
- Do not connect the power plug to the socket with wet hands in case of electric shock.
- This unit is intended to be used indoors, not outdoors.
- Do not use the unit for other than intended use.
- This unit is not intended for use by persons (including children) with reduced physical, sensory or mental capabilities, or lack of experience and knowledge, unless they have been given supervision or instruction concerning the use of the unit by a person responsible for their safety.
- Close supervision is necessary when the unit is used by or near children. Never leave the unit unattended near children. Children should be supervised to ensure they do not play with the unit.
- Do not operate any unit with a damaged cord or plug, or after the unit malfunctions or has been damaged in any manner. Repair and services should always be carried out by PENSONIC Customer Care/ Service Centre.



This marking indicates that this product should not be disposed with other household wastes throughout the nation. To prevent possible harm to the environment or human health from uncontrolled waste disposal, recycle it responsibly to promote the sustainable reuse of material resources. To return your used device, please use the return and collection systems or contact the retailer where the product was purchased. They can take this product for environmental safe recycling.

Thank you again for choosing PENSONIC appliances. Should you require further information/assistance, please visit www.pensonic.com or write to us at customerservice@pensonic.com or call our toll-free Care Line at 1-800-881-770.